

CARSON[®]

SENSORMAG™ SM-44



PDF: www.carson.com/sm44guide

English / Français / Español / Deutsch / 日本語



Instructions for use:

- 1) Remove your camera lens.
- 2) Refer to your camera manual to access the sensor cleaning mode.
- 3) Set the camera on a sturdy surface with the lens mount facing up. The sensor loupe was designed to fit multiple camera mounts. Using the sliding lever located on the bottom of your SensorMag (Fig. 1), extend or retract the mount extension depending on your camera mount's size to achieve a tight fit.

Quick Reference – Canon models typically are used with the mount extension retracted, Nikon models typically are used with the mount extension extended.

- 4) Place the SensorMag over the camera mount (Fig. 2), and take care to place any lens mount protrusions, such as the lens lock or auto focus lock (Fig. 3), under one of the openings in the bottom of the SensorMag (Fig. 4). Also, depending on the model of your camera, you may also be able to retract the auto focus lock by setting the camera to manual focus mode.

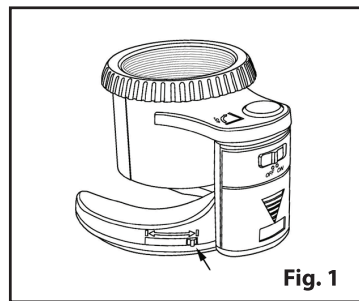


Fig. 1

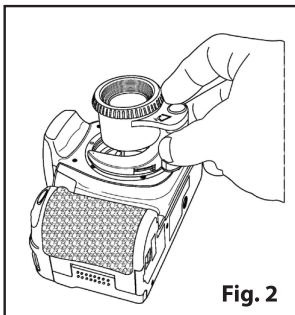


Fig. 2

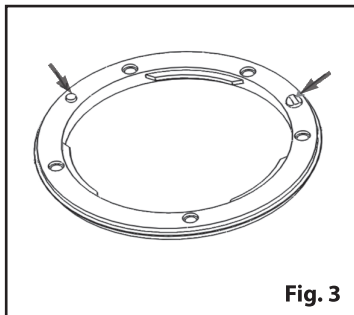


Fig. 3

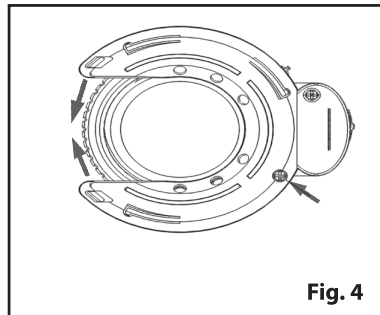
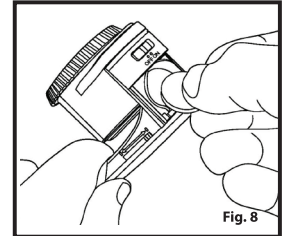
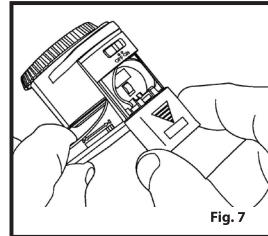
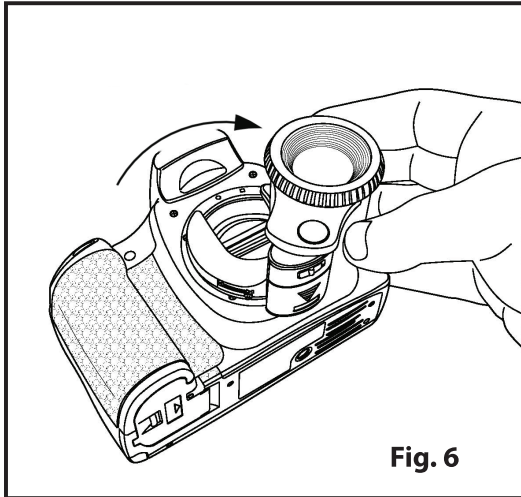
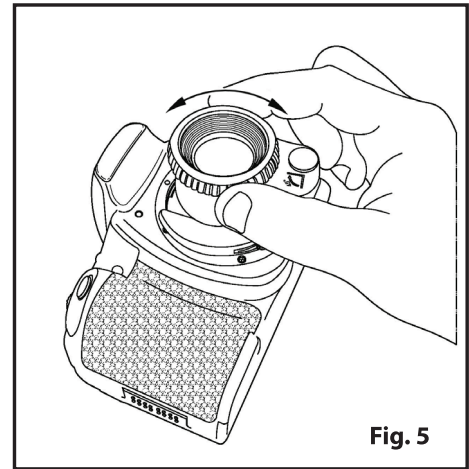


Fig. 4

Instructions for use (cont.):

- 5) Turn on the LED lights and use the focus ring at the top of the sensor loupe (Fig. 5) to bring any debris on your sensor into focus. Please note: You will be focusing on the outer surface of the sensor assembly (typically a glass cover or filter) and since the sensor is partially reflective and below the outer surface, the sensor itself may appear like a blurred array of bluish-green circles. Therefore, you will not be able to focus on a perfectly clean sensor itself. You may use the edges and frame of the sensor window to make sure you are in a correct focus, then inspect the surface for dust or debris.
- 6) After you have located dust and debris on your sensor, swing out the top portion of the SensorMag 45 degrees (Fig. 6) to allow access to your sensor for cleaning.
- 7) Clean the sensor following the instructions that come with your sensor-cleaning product carefully.
- 8) Repeat steps 5 and 6 until you no longer see dust through your SensorMag.
- 9) Replace camera lens and set camera to function as normal.
- 10) To replace batteries, remove safety screw and slide down battery door (Fig. 7) Replace exhausted batteries with new CR2032 button cell batteries. Follow polarity indicators marked on battery compartment (Fig. 8). Slide battery door back in place and reinstall safety screw.



Warning:

Note: This magnifier was designed to aid in camera sensor cleaning should you choose to do so. Only clean your sensor in manners approved by the manufacturer. Do not touch sensor unless instructed to do so by the manufacturer of the sensor-cleaning product. Always follow the instructions that come with the sensor-cleaning product. Carson Optical assumes no responsibility for damage to your camera due to improper cleaning of your sensor.