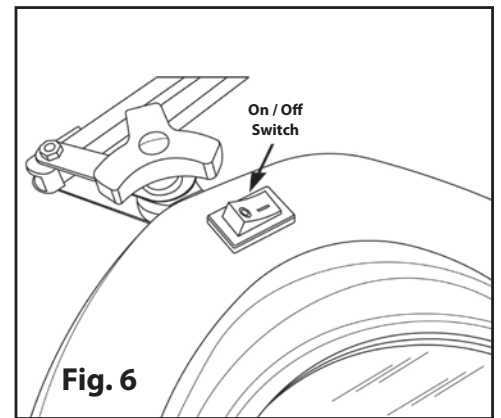
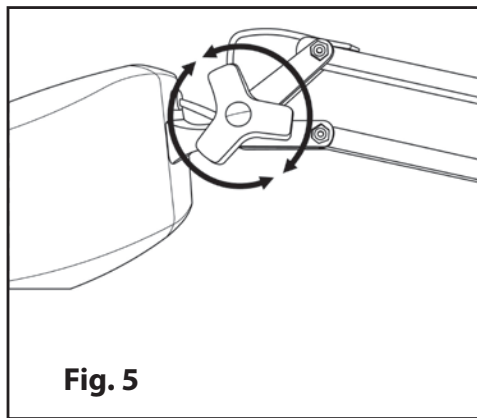
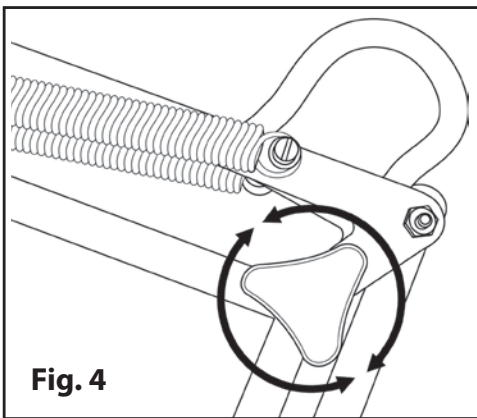
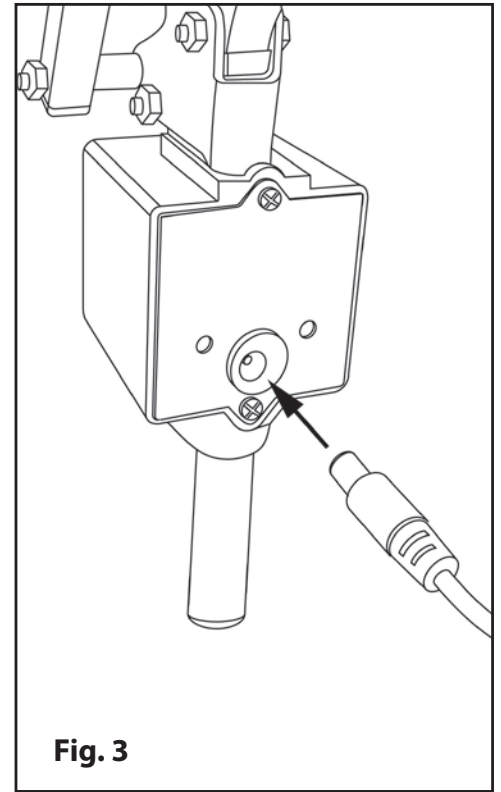
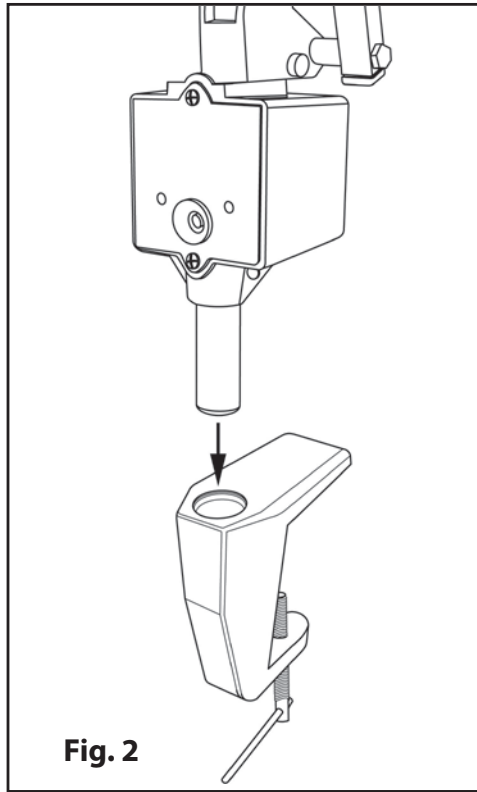
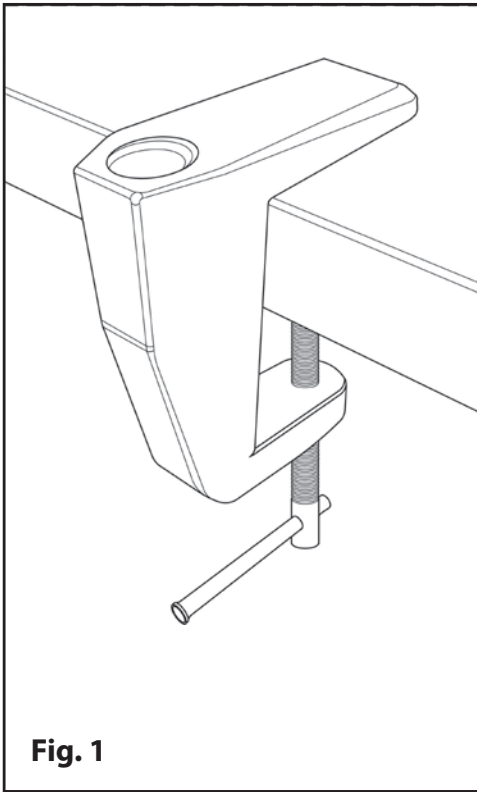


CARSON PRO®

DESKBRITEPLUS™ CP-70

Instructions for use:

- 1) Attach included C-Clamp to desk or table and tighten securely (Fig. 1).
- 2) Insert post located at base of arm into corresponding hole in the C-Clamp (Fig. 2).
- 3) Attach power adapter to base of magnifier arm and plug into outlet (Fig. 3).
- 4) Loosen dials located in middle joint of arm and just below magnifier head by turning them counter-clockwise (Fig. 4 and 5).
- 5) Adjust arm and magnifier head to desired viewing angle and tighten dials by turning them clockwise to secure in place.
- 6) To activate light, turn on switch located on top of magnifier head (Fig. 6).



Caution: Do not look directly into LED lights to avoid harming your eyes.

Warning: Fire Hazard. Keep magnifier away from direct sunlight to prevent accidental fire.

Important: Clean using a microfiber lens cloth only. Do not use any abrasives, chemical cleaners or solvents.